

This User Manual covers mANTBox models:

**mANTBox 15s (RB921GS-5HPacD-15S)**

**mANTBox 2 12s (RB911G-2HPnD-12S)**

**mANTBox 19s (RB921GS-5HPacD-19S)**

## Safety Warnings

Before you work on any equipment, be aware of the hazards involved with electrical circuitry, and be familiar with standard practices for preventing accidents.

Read the installation instructions before connecting the system to the power source.

This equipment is to be installed by trained and qualified personnel, as per these installation instructions. The installer is responsible for obtaining any required local or national safety inspections of the structural integrity of the installation by the local authority/inspection department.

All installation methods for mounting an access point on any wall surface are subject to the acceptance of local jurisdiction.

The Installation of the equipment must comply with local and national electrical codes.

This unit is intended to be mounted outdoors on a pole. Please read the mounting instructions carefully before beginning installation.

Failure to use the correct hardware and configuration or to follow the correct procedures could result in a hazardous situation for people and damage to the system.

We cannot guarantee that no accidents or damage will occur due to the improper use of the device.

Please use this product with care and operate at your own risk.

This device needs to be upgraded to RouterOS v6.48.3 or the latest version to ensure compliance with local authority regulations.

The mANTBox is a weatherproof outdoor device with a high-power wireless interface, and one Gigabit Ethernet connector, which supports MDI-X auto-detection. The device has a built-in sectoral antenna.

The device is packaged with a power adapter, a PoE injector, and a mounting kit.

**Exposure to Radio Frequency Radiation:** This MikroTik equipment complies with the FCC, IC, and European Union radiation exposure limits set forth for an uncontrolled environment. This MikroTik device should be installed and operated no closer than 20 centimeters from your body, occupational user, or the general public.

## First use

1. Unscrew the lid screw by hand;

2. The device accepts 8-30 V Passive PoE from a PoE injector (please compensate voltage for loss due to cable length) or from the power jack;
3. Connect the device to the included PoE injector with Ethernet cable;
4. Connect the PoE injector into the computer;
5. Connect the power adapter to the PoE injector;
6. Download the WinBox configuration tool <https://mt.lv/winbox>;
7. There is no default IP address set, user name: *admin* and there is no password (or, for some models, check user and wireless passwords on the sticker), use the Neighbors tab and connect through the MAC address;
8. Once connected configure the device, so it has an active Internet connection <https://mt.lv/configuration>;
9. Upgrade the RouterOS software to the latest version <https://mt.lv/upgrade>;
10. In the "QuickSet, CPE" menu set up the following: Choose your country, to apply country regulation settings;
11. Set the antenna gain, depending on the antenna used;
12. Set up your router password in the bottom field.

## Powering

The device comes with a 24 V 0.8 A power adapter. It can be used with the included PoE injector or the power jack. The device accepts 8-30 V for both methods. The maximum power consumption of the device is 11 W at 24 V, specific model consumption is listed below.

[mANTBox 15s](#) (RB921GS-5HPacD-15S)- 13 W

[mANTBox 2 12s](#) (RB911G-2HPnD-12S)- 11 W

[mANTBox 19s](#) (RB921GS-5HPacD-19S)- 13 W

Connecting to a PoE Adapter:

1. Connect the Ethernet cable from the device to the PoE+DATA port of the PoE adapter;
2. Connect an Ethernet cable from your local network (LAN) to the PoE adapter;
3. Connect the power cord to the adapter, and then plug the power cord into a power outlet.

## Configuration

We recommend clicking the "Check for updates" button and updating your RouterOS software to the latest version to ensure the best performance and stability. RouterOS includes many configuration options in addition to what is described in this document. We suggest visiting the RouterOS

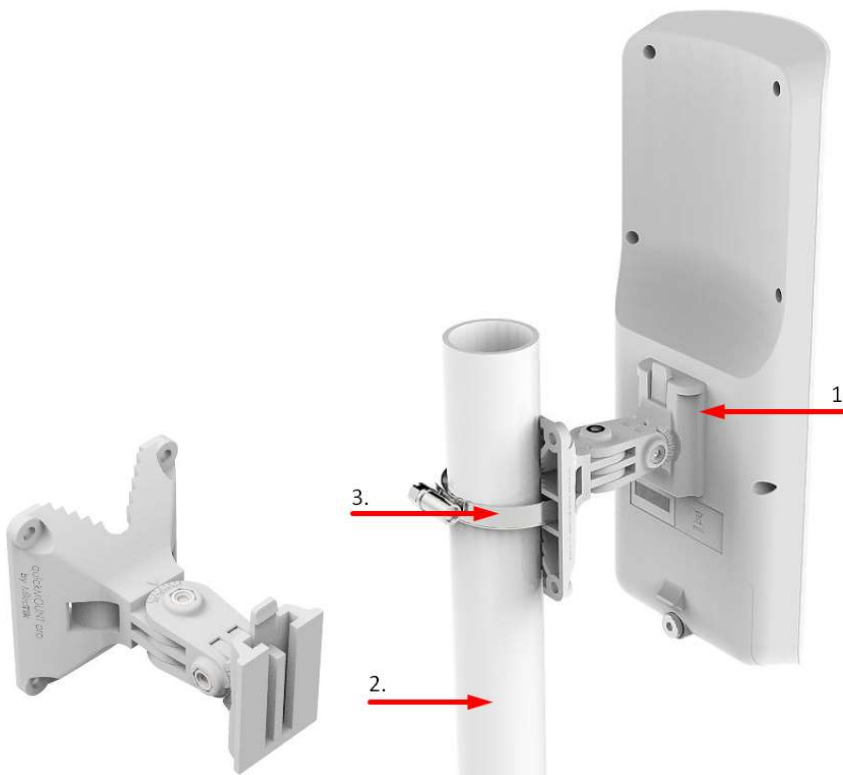
documentation page to get yourself accustomed to the possibilities: <https://mt.lv/help>.

In case an IP connection is not available, the Winbox tool (<https://mt.lv/winbox>) can be used to connect to the MAC address of the device from the LAN side (all access is blocked from the internet port by default).

## Mounting

The mANTbox 12s and 15s come with a QuickMount adapter that can be attached to a wall using the included screws, or attached to a pole, using the included metal mounting ring. The QuickMount allows the device to be adjusted horizontally and vertically.

1. Attach the quick mount to the back of the device.



2. Attach the device to the pole.

3. Secure it with a provided steel clamp. Clamping diameter 35 – 70 mm.



4. Please avoid connecting a loose Ethernet cable to the Ethernet port, secure the cable to a wall or the pole, so that the cable weight is not pulling the port. It is recommended to secure the Ethernet cable less than 2m from the device. This is to ensure that the cable doesn't damage the port by its weight, or doesn't fall out.

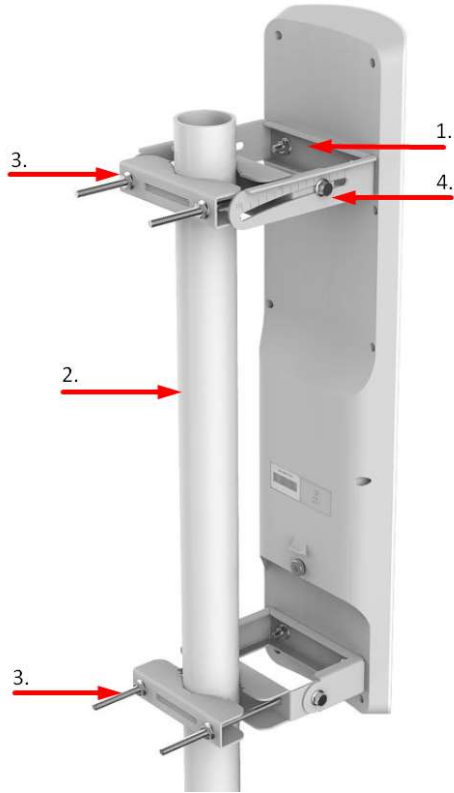
We recommend using Cat6 shielded cables.

Warning! This equipment should be installed and operated with a minimum distance of 25 cm between the device and your body. The operation of this equipment in the residential environment could cause radio interference.

The mANTbox 19s comes with metal pole brackets, that clamp around metal poles.

1. Attach the mount base to the back of the device.
2. Attach the device with mounting brackets to the pole.

3. Secure the device with brackets and screws.

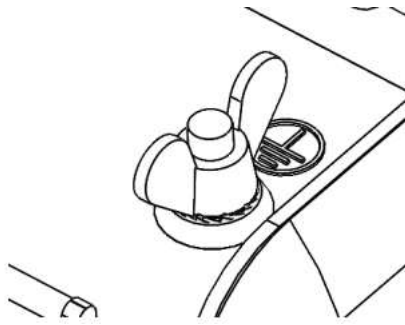


4. Adjust needed alignment.

Please avoid connecting a loose Ethernet cable to the Ethernet port, secure the cable to a wall or the pole, so that the cable weight is not pulling the port. It is recommended to secure the Ethernet cable less than 2m from the device. This is to ensure that the cable doesn't damage the port by its weight, or doesn't fall out. It is possible to connect a grounding wire to the device, by opening the lid, a grounding screw is provided there.

## Grounding

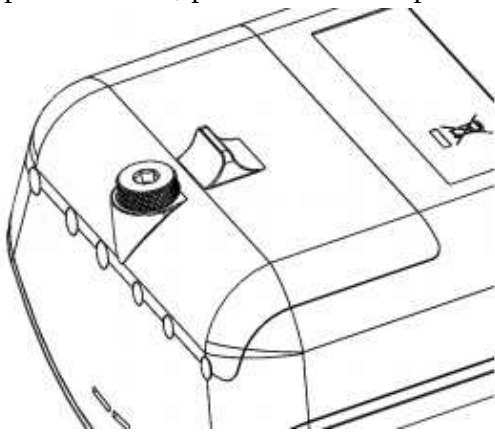
The installation infrastructure (towers and masts), as well as the router itself, must be properly grounded. The device includes a grounding wire attachment screw behind the case door. Attach your grounding wire to the grounding screw, then attach the other end of the grounding wire to the grounded mast. This is to substantially reduce the risk of ESD and lightning damage.



The device includes a grounding connection (marked ≡).

## Opening cover

To open the cover, please turn the captive screw by hand anti-clockwise and lift it.



## Expansion Slots and Ports

- Built-in wireless interface, 2x2 MIMO, AP/station/bridge modes supported.
- One 10/100/1000 Gigabit Ethernet port, supporting automatic cross/straight cable correction (Auto MDI/X), so you can use either straight or crossover cable for connecting to other network devices. The Ethernet port accepts 8-30V DC powering from a passive PoE injector.
- One SFP port for 1.25Gbit modules, DDMI support.

## Buttons and Jumpers

The reset button has the following functions:

- Hold this button during boot time until the LED light starts flashing, release the button to reset RouterOS configuration (total 5 seconds).
- Keep holding for 5 more seconds, LED turns solid, release now to turn on CAP mode. The device will now look for a CAPsMAN server (total 10 seconds).

- Or Keep holding the button for 5 more seconds until LED turns off, then release it to make the RouterBOARD look for Netinstall servers (total 15 seconds).

Regardless of the above option used, the system will load the backup RouterBOOT loader if the button is pressed before power is applied to the device. Useful for RouterBOOT debugging and recovery.

## Operating System Support

The device supports RouterOS software with version number 6.48.3 at or above what is indicated in the RouterOS menu /system resource. Other operating systems have not been tested.

To avoid pollution of the environment, please separate the device from household waste and dispose of it in a safe manner, such as in designated waste disposal sites. Familiarize yourself with the procedures for the proper transportation of the equipment to the designated disposal sites in your area.

## Models: RB921GS-5HPacD-15S (mANTBox 15s), RB921GS-5HPacD-19S (mANTBox 19s):

### Federal Communication Commission Interference Statement

Model	FCC ID
RB921GS-5HPacD-15S	TV7RB921G-5HPACD
RB921GS-5HPacD-19S	TV7RB921G-5HPACD

This equipment generates, uses, and can radiate radio frequency energy and, if not installed and used in accordance with the instruction manual, may cause harmful interference to radio communications. Operation of this equipment in a residential area is likely to cause harmful interference in which case the user will be required to correct the interference at his own expense.

**FCC Caution:** Any changes or modifications not expressly approved by the party responsible for compliance could void the user's authority to operate this equipment.

This device complies with Part 15 of the FCC Rules. Operation is subject to the following two conditions: (1) This device may not cause harmful interference, and (2) this device must accept any interference received, including interference that may cause undesired operation.

Note: This unit was tested with shielded cables on the peripheral devices. Shielded cables must be used with the unit to ensure compliance.

**Antenna Installation WARNING:** It is the installer's responsibility to ensure that when using the authorized antennas in the USA (or where FCC rules apply); only those antennas certified with the product are to be used. The installer should configure the output power level of antennas, according to country regulations and per antenna type. Professional installation is required for equipment with connectors to ensure compliance with health and safety issues.

**IMPORTANT: Exposure to Radio Frequency Radiation.** 20 cm minimum distance has to be maintained between the antenna and the occupational user. Under such configuration, the FCC radiation exposure limits set forth for an population/uncontrolled environment can be satisfied.

## Innovation, Science and Economic Development Canada

Model	IC
RB921GS-5HPacD-15S	7442A-921G5HPACD
RB921GS-5HPacD-19S	7442A-921G5HPACD

This device contains license-exempt transmitter(s)/receiver(s) that comply with Innovation, Science, and Economic Development Canada's license-exempt RSS(s). Operation is subject to the following two conditions: (1) This device may not cause interference. (2) This device must accept any interference, including interference that may cause undesired operation of the device.

L'émetteur/récepteur exempt de licence contenu dans le présent appareil est conforme aux CNR d'Innovation, Sciences et Développement économique Canada applicables aux appareils radio exempts de licence. L'exploitation est autorisée aux deux conditions suivantes : 1) L'appareil ne doit pas produire de brouillage; 2) L'appareil doit accepter tout brouillage radioélectrique subi, même si le brouillage est susceptible d'en compromettre le fonctionnement.

This Class A digital apparatus complies with Canadian ICES-003.

Cet appareil numérique de la classe [A] est conforme à la norme NMB-003 du Canada.

CAN ICES-003 (A) / NMB-003 (A)

The device for operation in the band 5150–5250 MHz is only for indoor use to reduce the potential for harmful interference to co-channel mobile satellite systems.

Les dispositifs fonctionnant dans la bande de 5 150 à 5 250 MHz sont réservés uniquement pour une utilisation à l'intérieur afin de réduire les risques de brouillage préjudiciable aux systèmes de satellites mobiles utilisant les mêmes canaux.

**Antenna Installation WARNING:** It is the installer's responsibility to ensure that when using the authorized antennas in Canada (or where IC rules apply); only those antennas certified with the product are to be used. The installer should configure the output power level of antennas, according to country



regulations and per antenna type. Professional installation is required for equipment with connectors to ensure compliance with health and safety issues.

**IMPORTANT: Exposure to Radio Frequency Radiation.** 20 cm minimum distance has to be maintained between the antenna and the occupational user. Under such configuration, the FCC radiation exposure limits set forth for an population/uncontrolled environment can be satisfied.

## UKCA Marking



## Eurasian Conformity Mark

Частотный каналы	Мощность передатчика
5150-5350 МГц, 5650-5850 МГц	≤10 Вт

\*Доступные частотные каналы могут различаться в зависимости от модели продукта и сертификации.

Информация о дате изготовления устройства указана в конце серийного номера на его наклейке через дробь. Первая цифра означает номер года (последняя цифра года), две последующие означают номер недели.

Изготовитель: Mikrotikls SIA, Aizkraukles iela 23, Riga, LV-1006, Латвия, [support@mikrotik.com](mailto:support@mikrotik.com).  
Сделано в Китае, Латвии или Литве. См. на упаковке.

Для получения подробных сведений о гарантийном обслуживании обратитесь к продавцу.

Информация об импортерах продукции MikroTik в Российскую

Федерацию: <https://mikrotik.com/buy/europe/russia>

Продукты MikroTik, которые поставляются в Евразийский таможенный союз, оцениваются с учетом соответствующих требований и помечены знаком ЕАС, как показано ниже:



## Norma Oficial Mexicana

Rango de frecuencia (potencia de salida máxima): 5725-5850 MHz (30 dBm). Los canales de frecuencia disponibles pueden variar según el modelo y la certificación del producto.

EFICIENCIA ENERGETICA CUMPLE CON LA NOM-029-ENER-2017.

La operacion de este equipo esta sujeta a las siguientes dos condiciones:

Es posible que este equipo o dispositivo no cause interferencia perjudicial y.

Este equipo debe aceptar cualquier interferencia, incluyendo la que pueda causar su operacion no deseada.

Fabricante: Mikrotikls SIA, Brivibas gatve 214i, Riga, LV-1039, Latvia.

País De Origen: Letonia; Lituania; China (Republica Popular); Estados Unidos De America; Mexico.

Por favor contacte a su distribuidor local para preguntas regionales específicas. La lista de importadores se puede encontrar en nuestra página de inicio

– <https://mikrotik.com/buy/latinamerica/mexico>.

## The National Commission for the State Regulation of Communications and Informatization by Ukraine

Виробник: Mikrotikls SIA, Brivibas gatve 214i Рига, Латвія, LV1039.

Робоча частота (Максимальна вихідна потужність): 5150-5250 МГц (23 дБм), 5250-5350 МГц (20 дБм), 5470-5725 МГц (27 дБм).

Справжнім Mikrotikls SIA заявляє, що маршрутизатор відповідає основним вимогам та іншим відповідним положенням директиви 2014/53/ЕС, а також суттєвим вимогам Технічного регламенту радіообладнання, затвердженого постановою Кабінету Міністрів України від 24 травня 2017 року № 355.

Для експлуатації в Україні необхідно отримати дозвіл на експлуатацію у порядку, затвердженому рішенням НКРЗІ від 01.11.2012 № 559, зареєстрованому в Міністерстві юстиції України 03.01.2013 за № 57/22589.

## CE Declaration of Conformity

Manufacturer: Mikrotikls SIA, Brivibas gatve 214i Riga, Latvia, LV1039.

Hereby, Mikrotikls SIA declares that the radio equipment type RouterBOARD is in compliance with Directive 2014/53/EU. The full text of the EU declaration of conformity is available at the following internet address: <https://mikrotik.com/products>

### Frequency bands terms of use

Frequency range (for applicable models)	Channels used	Maximum Output Power (EIRP)	Restriction
5150-5250 MHz	26 - 48	23 dBm	Restricted to indoor use only*

5250-5350 MHz	52 - 64	20 dBm	Restricted to indoor use only*
5470-5725 MHz	100 - 140	27 dBm	Without any restriction to use in all EU Member States

*\* It is the customer's responsibility to follow local country regulations, including operation within legal frequency channels, output power, cabling requirements, and Dynamic Frequency Selection (DFS) requirements. All Mikrotik radio devices must be professionally installed!*

This MikroTik device meets Maximum WLAN transmit power limits per ETSI regulations. For more detailed information see Declaration of Conformity above / Dieses MikroTik-Gerät erfüllt die maximalen WLAN- Sendeleistung Grenzwerte gemäß ETSI-Bestimmungen. Weitere Informationen finden Sie oben unter Konformitätserklärung / Cet appareil MikroTik respecte les limites maximales de puissance de transmission WLAN conformément aux réglementations ETSI. Pour plus d'informations, voir la déclaration de conformité ci-dessus / Questo dispositivo MikroTik è conforme ai limiti massimi di potenza di trasmissione WLAN in conformità con le normative ETSI. Per ulteriori informazioni, consultare la dichiarazione di conformità sopra / Este dispositivo MikroTik cumple con los límites máximos de potencia de transmisión WLAN de acuerdo con las regulaciones ETSI. Para obtener más información, consulte la declaración de conformidad anterior / Это устройство MikroTik соответствует максимальным пределам мощности передачи WLAN в соответствии с правилами ETSI. Для получения дополнительной информации см. Декларацию соответствия выше.

## **Models: RB911G-2HPnD-12S (mANTBox 2 12s):**

### **Federal Communication Commission Interference Statement**

<b>Model</b>	<b>FCC ID</b>
RB911G-2HPnD-12S	TV7RB911G2HPND

This equipment has been tested and found to comply with the limits for a Class A digital device, pursuant to Part 15 of the FCC Rules. These limits are designed to provide reasonable protection against harmful interference in a commercial installation.

This equipment generates, uses, and can radiate radio frequency energy and, if not installed and used in accordance with the instruction manual, may cause harmful interference to radio communications. Operation of this equipment in a residential area is likely to cause harmful interference in which case the user will be required to correct the interference at his own expense

**FCC Caution:** Any changes or modifications not expressly approved by the party responsible for compliance could void the user's authority to operate this equipment.

This device complies with Part 15 of the FCC Rules. Operation is subject to the following two conditions: (1) This device may not cause harmful interference, and (2) this device must accept any interference received, including interference that may cause undesired operation.

Note: This unit was tested with shielded cables on the peripheral devices. Shielded cables must be used with the unit to ensure compliance.

**Antenna Installation WARNING:** It is the installer's responsibility to ensure that when using the authorized antennas in the USA (or where FCC rules apply); only those antennas certified with the product are to be used. The installer should configure the output power level of antennas, according to country regulations and per antenna type. Professional installation is required for equipment with connectors to ensure compliance with health and safety issues.

**IMPORTANT: Exposure to Radio Frequency Radiation.** This equipment complies with the IC radiation exposure limits set forth for an uncontrolled environment. This equipment should be installed and operated with a minimum distance of 20 cm between the radiator and any part of your body.

## **Innovation, Science and Economic Development Canada**

IC: 7442A-911G2HPND

This device contains license-exempt transmitter(s)/receiver(s) that comply with Innovation, Science, and Economic Development Canada's license-exempt RSS(s). Operation is subject to the following two conditions: (1) This device may not cause interference. (2) This device must accept any interference, including interference that may cause undesired operation of the device.

L'émetteur/récepteur exempt de licence contenu dans le présent appareil est conforme aux CNR d'Innovation, Sciences et Développement économique Canada applicables aux appareils radio exempts de licence. L'exploitation est autorisée aux deux conditions suivantes : 1) L'appareil ne doit pas produire de brouillage; 2) L'appareil doit accepter tout brouillage radioélectrique subi, même si le brouillage est susceptible d'en compromettre le fonctionnement.

This Class A digital apparatus complies with Canadian ICES-003.

Cet appareil numérique de la classe [A] est conforme à la norme NMB-003 du Canada.

CAN ICES-003 (A) / NMB-003 (A)

**Antenna Installation WARNING:** It is the installer's responsibility to ensure that when using the authorized antennas in Canada (or where IC rules apply); only those antennas certified with the product are to be used. The installer should configure the output power level of antennas, according to country regulations and per antenna type. Professional installation is required for equipment with connectors to ensure compliance with health and safety issues.

**IMPORTANT: Exposure to Radio Frequency Radiation.**  
This equipment complies with the IC radiation exposure limits set forth for an uncontrolled environment. This equipment should be installed and operated with a minimum distance of 20 cm between the radiator and any part of your body.

## UKCA Marking



## Eurasian Conformity Mark

Частотный каналы	Мощность передатчика
2400-2483.5 МГц	≤10 Вт

\*Доступные частотные каналы могут различаться в зависимости от модели продукта и сертификации.

Информация о дате изготовления устройства указана в конце серийного номера на его наклейке через дробь. Первая цифра означает номер года (последняя цифра года), две последующие означают номер недели.

Изготовитель: Mikrotiks SIA, Aizkraukles iela 23, Riga, LV-1006, Латвия, [support@mikrotik.com](mailto:support@mikrotik.com).  
Сделано в Китае, Латвии или Литве. См. на упаковке.

Для получения подробных сведений о гарантийном обслуживании обратитесь к продавцу.  
Информация об импортерах продукции MikroTik в Российскую Федерацию: <https://mikrotik.com/buy/europe/russia>

Продукты MikroTik, которые поставляются в Евразийский таможенный союз, оцениваются с учетом соответствующих требований и помечены знаком ЕАС, как показано ниже:



## Norma Oficial Mexicana

Rango de frecuencia (potencia de salida máxima): 2400-2483.5 MHz (30 dBm). Los canales de frecuencia disponibles pueden variar según el modelo y la certificación del producto.

EFICIENCIA ENERGETICA CUMPLE CON LA NOM-029-ENER-2017.

La operacion de este equipo esta sujeta a las siguientes dos condiciones:

Es posible que este equipo o dispositivo no cause interferencia perjudicial y. Este equipo debe aceptar cualquier interferencia, incluyendo la que pueda causar su operacion no deseada.

Fabricante: Mikrotikls SIA, Brivibas gatve 214i, Riga, LV-1039, Latvia.

País De Origen: Letonia; Lituania; China (Republica Popular); Estados Unidos De America; Mexico.

Por favor contacte a su distribuidor local para preguntas regionales específicas. La lista de importadores se puede encontrar en nuestra página de inicio

– <https://mikrotik.com/buy/latinamerica/mexico>.

## The National Commission for the State Regulation of Communications and Informatization by Ukraine

Виробник: Mikrotikls SIA, Brivibas gatve 214i Рига, Латвія, LV1039.

Робоча частота (Максимальна вихідна потужність): 2400-2483.5 МГц (30 дБм).

Справжнім Mikrotikls SIA заявляє, що маршрутизатор відповідає основним вимогам та іншим відповідним положенням директиви 2014/53/ЕС, а також суттєвим вимогам Технічного регламенту радіообладнання, затвердженого постановою Кабінету Міністрів України від 24 травня 2017 року № 355.

Для експлуатації в Україні необхідно отримати дозвіл на експлуатацію у порядку, затвердженому рішенням НКРЗІ від 01.11.2012 № 559, зареєстрованому в Міністерстві юстиції України 03.01.2013 за № 57/22589.

## CE Declaration of Conformity

Manufacturer: Mikrotikls SIA, Brivibas gatve 214i Riga, Latvia, LV1039.

Hereby, Mikrotikls SIA declares that the radio equipment type RB911G-2HPnD-12S is in compliance with Directive 2014/53/EU. The full text of the EU declaration of conformity is available at the following internet address: <https://mikrotik.com/products>

### Frequency bands terms of use

Frequency range (for applicable models)	Channels used	Maximum Output Power (EIRP)	Restriction
2412-2472 MHz	1 - 13	20 dBm	Without any restriction to use in all EU Member States

This MikroTik device meets Maximum TX power limits per ETSI regulations. For more detailed information see Declaration of Conformity above / Dieses MikroTik-Gerät erfüllt die maximalen

Sendeleistungsgrenzwerte gemäß ETSI-Bestimmungen. Weitere Informationen finden Sie oben in der Konformitätserklärung. Nähere Informationen finden Sie oben in der Konformitätserklärung / Cet appareil MikroTik respecte les limites de puissance TX maximale via les réglementations ETSI. Pour plus d'informations, voir la déclaration de conformité ci-dessus / Questo dispositivo MikroTik soddisfa i limiti di potenza massima TX tramite le normative ETSI. Per informazioni più dettagliate consultare la Dichiarazione di conformità sopra / Este dispositivo MikroTik cumple con los límites máximos de potencia TX a través de las normas ETSI. Para obtener información más detallada, consulte la Declaración de conformidad anterior / Это устройство MikroTik соответствует ограничениям максимальной мощности передачи согласно правилам ETSI. Для получения более подробной информации см. Декларацию соответствия выше.

*Note. The information contained here is subject to change. Please visit the product page on [www.mikrotik.com](http://www.mikrotik.com) for the most up to date version of this document.*