

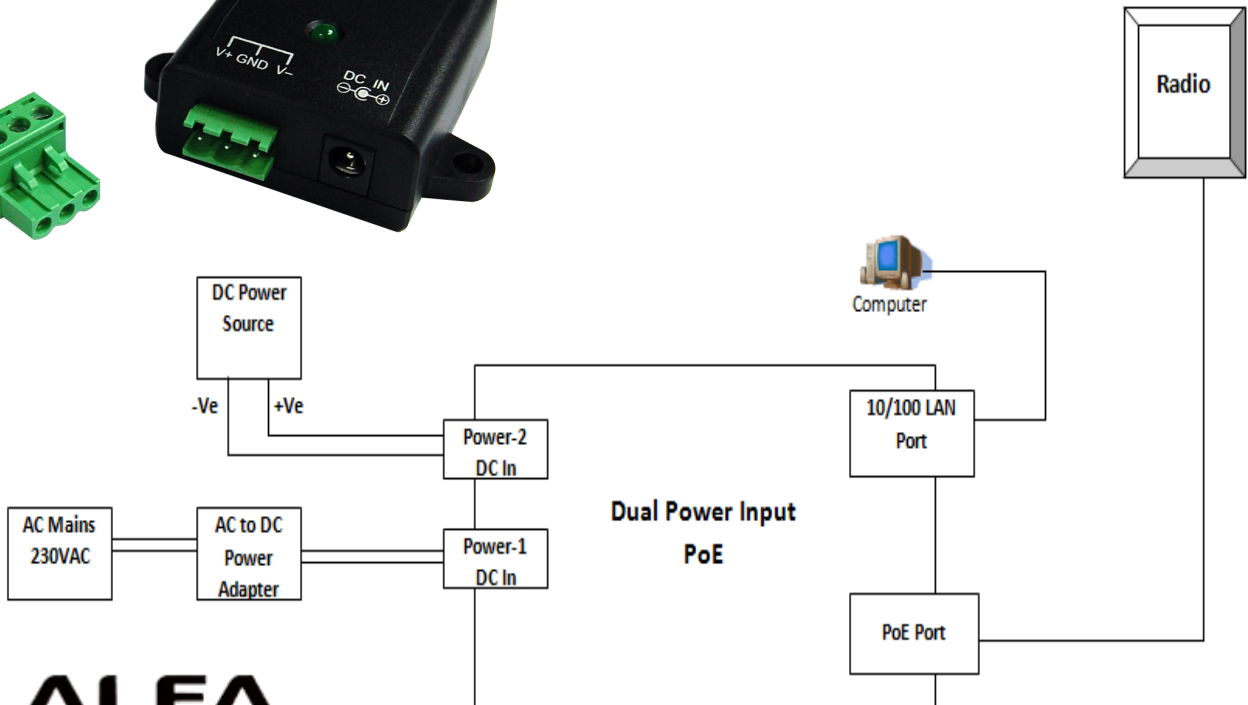
# APOE03

## Redundancy Industrial PoE Adapter



The APOE03 Power over Ethernet (PoE) Passive Injector delivers both data and electrical power to passive PoE devices using a single Ethernet cable. Using PoE you eliminate the need to place an Ethernet device, such as a wireless access point or IP Camera giving you more freedom.

The installation is simple and easy for APOE03 it does not require any tools or software. Plug the APOE03 into a power outlet and connect the APOE03 to your passive PoE device using any standard Ethernet cable. Once APOE03 setup has been completed the output power is compatible to any 5VDC, 12VDC, 24VDC, 48VDC, 57VDC (Max. 48W) Passive PoE-enable device.



# APOE03

## Redundancy Industrial PoE Adapter

### Technical Specifications:

<b>Power</b>	PIN 4/5, 7/8
<b>Data</b>	PIN 1/2, 3/6
<b>Data In</b>	Connects PC/HUB/Switch
<b>Ethernet Data Rate</b>	10/100TX Mbps
<b>Ethernet Cable</b>	Cat.5 / Cat.5e / Cat.6
<b>Ethernet Cable Connector</b>	RJ45
<b>Support Input Voltage</b>	5V – 57V (Max.48W)
<b>Support Output Voltage</b>	5V – 57V (Max.48W)
<b>Built-In LED Indicators</b>	Power
<b>Operating Temperature</b>	-0°C ~ 40°C
<b>Storage Temperature</b>	-20°C ~ 60°C
<b>Operating Humidity</b>	10% to 80% Non-Condensing
<b>Storage Humidity</b>	5% to 90% Non-Condensing
<b>Power Supply</b>	110 – 220V AC Power ; 5V – 57V DC input
<b>Unit Dimensions</b>	67*67*24mm (W*L*H)
<b>Unit Weight</b>	40g

### Product Features:

- Support Fast Ethernet Passive PoE-enable device (PIN 1/2/3/4 Data. PIM 4/5/7/8 Power)
- Provide both data and electrical power to Passive PoE-enabled device
- Support Wide Range input/output DC Power (5V – 57V at Max.48W)
- Dual DC Power Input – 3-pin Screw Terminal Block and Power Jack
- Wall mount ability

For further details:

Alfa Network Inc.,  
4F-1 No. 106, Rueiguang Rd.,  
Neihu District,  
Taipei City, Taiwan.  
<http://www.alfa.com.tw>  
[sales@alfa.com.tw](mailto:sales@alfa.com.tw)

Tel:+886-2-27968477 | Fax:+886-2-27968478

